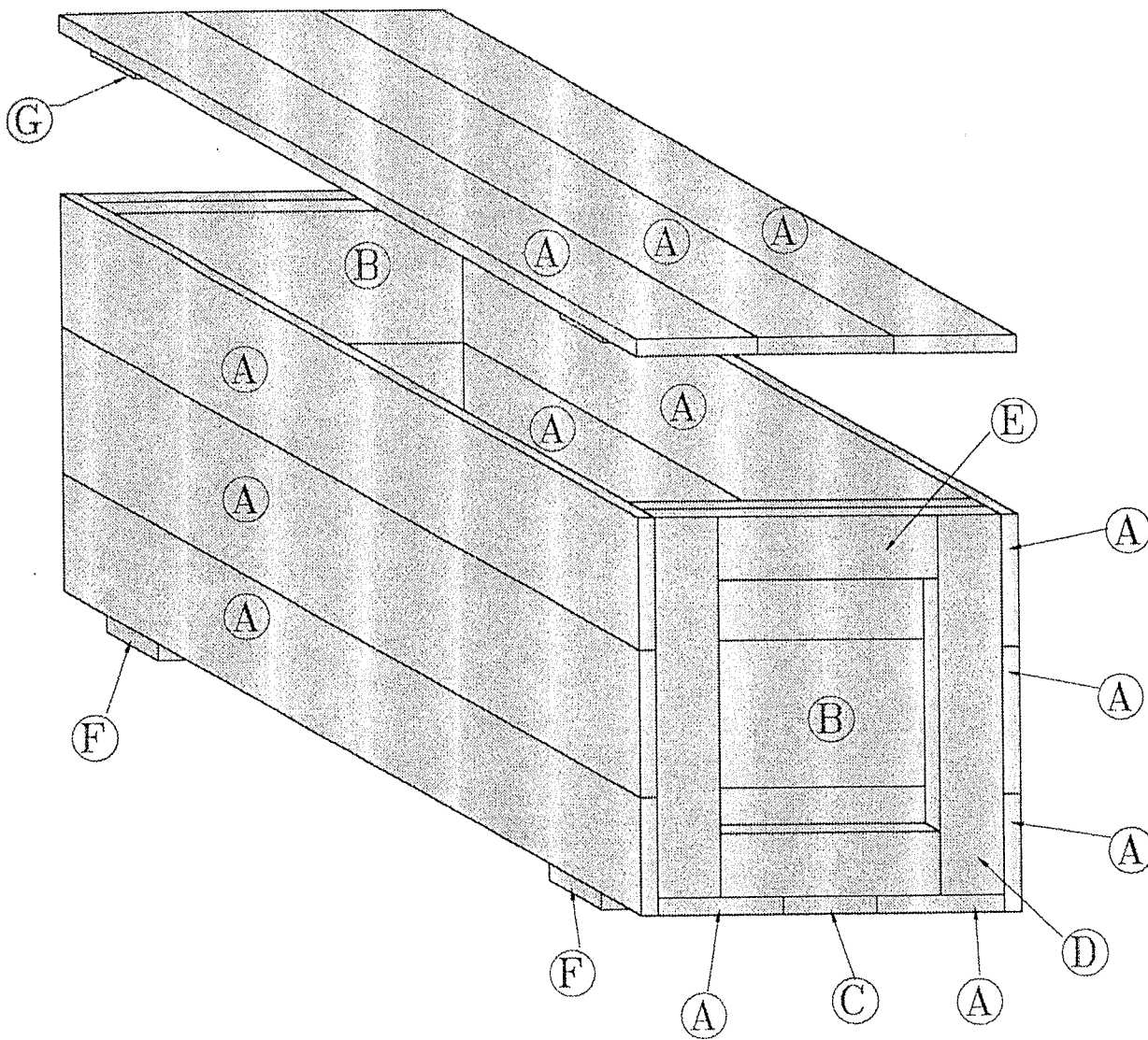


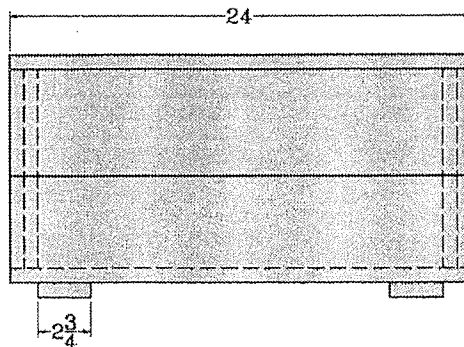
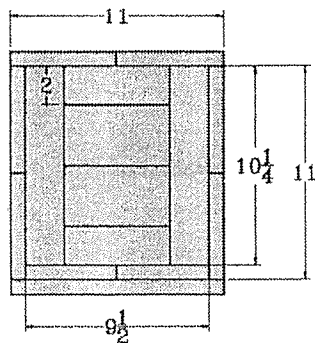
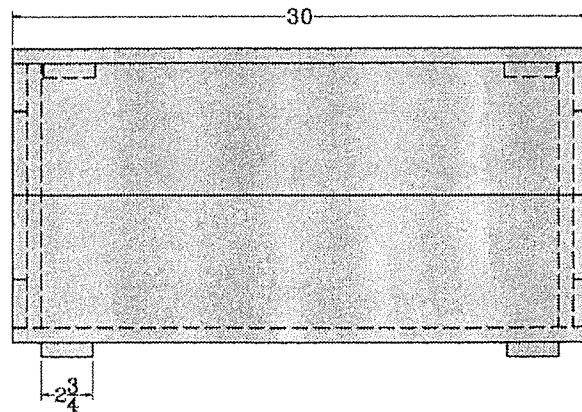
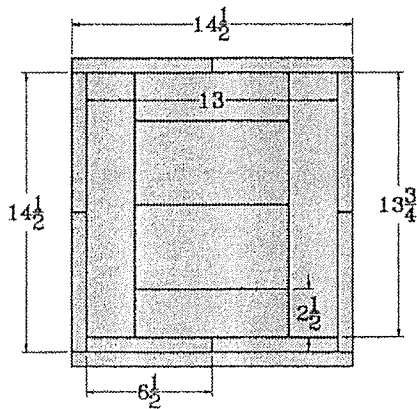
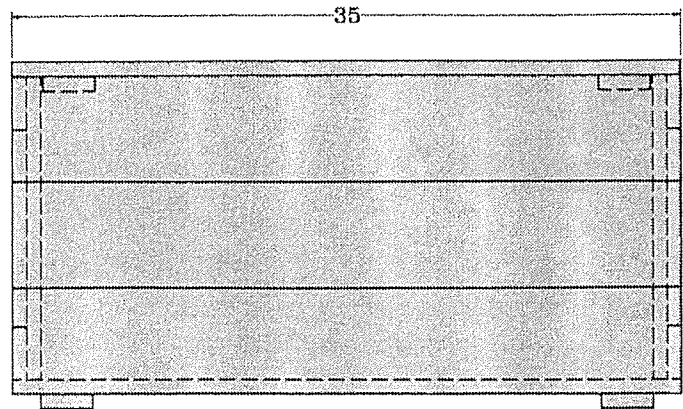
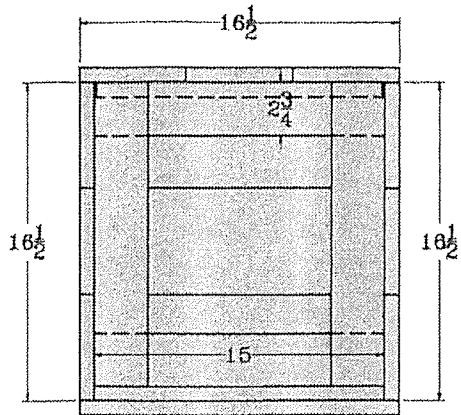
PACKING CRATE



BILL OF MATERIALS

ITEM	DESCRIPTION	SMALL QTY - L X W X T	MEDIUM QTY - L X W X T	LARGE QTY - L X W X T
A	SIDE/TOP/BOTTOM	6 - 24" X 5 1/2" X 3/4"	6 - 30" X 7 1/4" X 3/4"	11 - 35" X 5 1/2" X 3/4"
B	END	4 - 9 1/2" X 5 1/8" X 3/4"	4 - 13" X 6 7/8" X 3/4"	6 - 15" X 5 1/4" X 3/4"
C	BOTTOM	2 - 24" X 4 3/4" X 3/4"	2 - 30" X 6 1/2" X 3/4"	1 - 35" X 4" X 3/4"
D	END CLEAT	4 - 10 1/4" X 2" X 3/4"	4 - 13 3/4" X 2 1/2" X 3/4"	4 - 15 3/4" X 2 3/4" X 3/4"
E	END CLEAT	4 - 9 1/2" X 2" X 3/4"	4 - 13" X 2 1/2" X 3/4"	4 - 15" X 2 3/4" X 3/4"
F	BOTTOM CLEAT	2 - 11" X 2 3/4" X 3/4"	2 - 14 1/2" X 2 3/4" X 3/4"	2 - 16 1/2" X 2 3/4" X 3/4"
G	TOP CLEAT	2 - 9 1/4" X 2 3/4" X 3/4"	2 - 12 3/4" X 2 3/4" X 3/4"	2 - 14 3/4" X 2 3/4" X 3/4"

PACKING CRATE



1

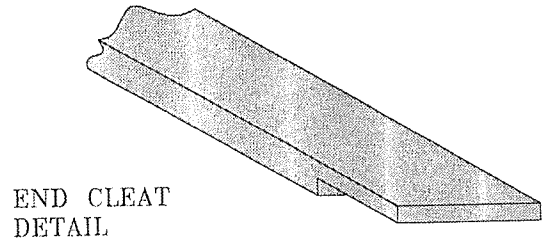
The small crate will require 3 - 1 x 6 x 10' and 80 screws or nails. The medium crate will require 4 - 1 x 8 x 8' and 90 screws or nails. The large crate will require 6 - 1 x 6 x 10' and 110 screws or nails. The crates can be put together with drywall screws and plugs over the screw heads, 2" long box nails or 2" long cut nails. The nails should go all the way through the boards and are bent over on the inside of the crate. The cut nails need to be cut nails and not masonry nails. Masonry nails are hardened and can not be bent over.

PACKING CRATE

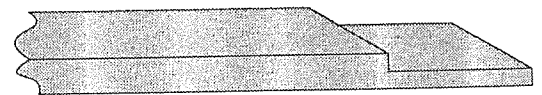
2 Cut all of the pieces to size per the bill of materials. This includes cutting to length and ripping to width.

3 Lay the top, sides, bottom and ends on the bench and put several biscuits or dowels in the boards to keep them aligned. The boards can also be glued together or a spline can be used to keep the boards in alignment.

4 Cut the half lap joints per the drawing to the right. These can be cut using a table saw with the blade set to $3/8$ " above the table and a miter gauge making repetitive cuts.



5 Lay the end cleats onto the ends assembled in step 3. Pre drill the holes for your nails or screws and nail together both ends of the crate. Two or three nails or screws should be used in each board.



6 Lay out the top assembly and set the top cleats in $1\ 5/8$ " in from the ends of the top. Pre-drill the nail or screw holes and nail or screw together. Lay the bottom assembly on the bench and set the bottom cleats in $1\ 1/2$ " from the ends, screw or nail the bottom cleats onto the bottom.

7 Attach the ends to the bottom with nails or screws. If you are nailing these nails will not be bent over on the inside of the crate because they will not stick through.

8 Attach the sides to the ends and bottom. Nail or screw the sides both into the ends and the bottom.

9 The packing crate is almost complete. Using some sand paper break all of the edges and sand off any rough spots. Finish the crate with paint or stain and varnish per the manufacturers recommendations.